



CREAGH
INNOVATION IN CONCRETE

Precast

GENERAL PRECAST RANGE OVERVIEW





Creagh Concrete has been a pioneer of precast for over 43 years. We are one of the UK's largest producers of concrete products for a diverse range of market sectors. We manufacture an extensive range of general precast products for home building, from sills, beams and lintels to chimney surrounds. We offer innovative solutions and unrivalled technical support to help our customers meet today's construction challenges.

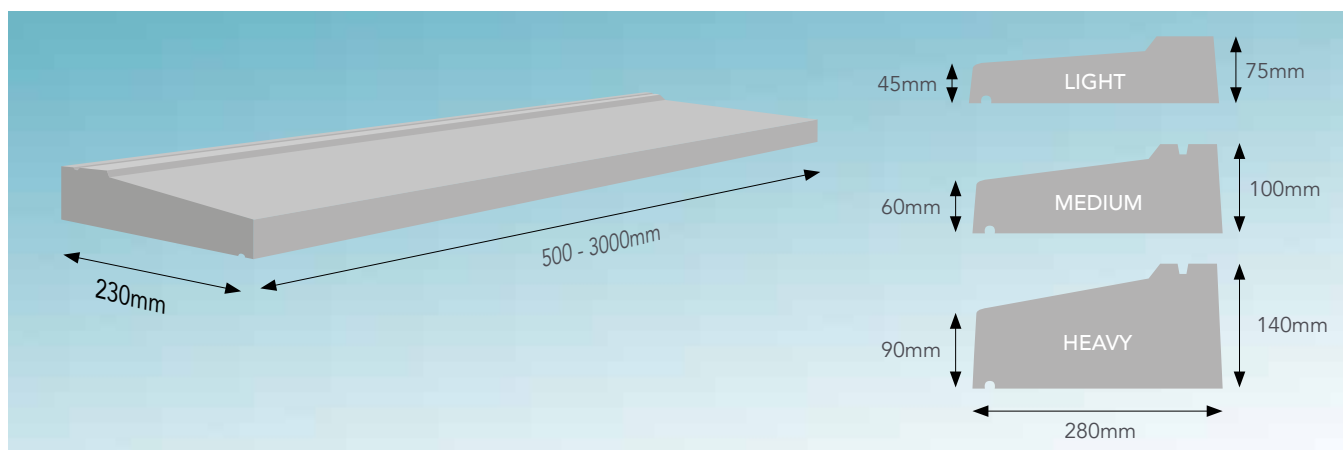
PRECAST SILLS

Sills are mainly used in commercial developments, residential housing projects and one off dwellings. Creagh offers a technical advice and design service including loading calculations and schedules to those

customers providing architectural drawings. We manufacture sills to meet client's individual specification. An extensive stock is maintained at Toomebridge in a range of incremental lengths.

Precast Concrete Sills Dimensions (mm)

LENGTHS AVAILABLE	LIGHT 75mm Rear 45mm Front	MEDIUM 100mm Rear 60mm Front	HEAVY 140mm Rear 90mm Front	STANDARD WIDTH
500	•	•	•	280
600	•	•	•	280
700	•	•	•	280
800	•	•	•	280
900	•	•	•	280
1000	•	•	•	280
1100	•	•	•	280
1200	•	•	•	280
1300	•	•	•	280
1400	•	•	•	280
1500	•	•	•	280
1600	•	•	•	280
1700	•	•	•	280
1800	•	•	•	280
1900	–	–	•	280
2000	•	•	•	280
2100	•	•	•	280
2300	•	•	•	280
2400	•	•	•	280
2500	–	•	•	280
2600	•	•	•	280
2700	•	•	•	280
2800	•	•	•	280
2900	•	•	•	280
3000	•	•	•	280

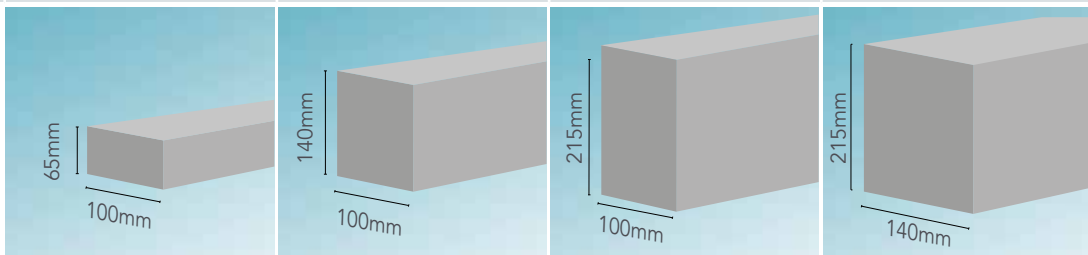


PRECAST LINTELS

We manufacture lintels to meet the client's individual specification. An extensive stock is maintained at our head office in Toomebridge in a range of sizes.

Prestressed Concrete Lintels Dimensions (mm)

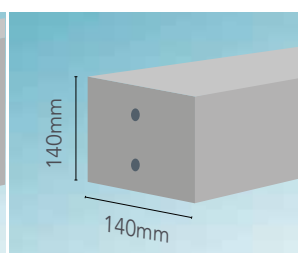
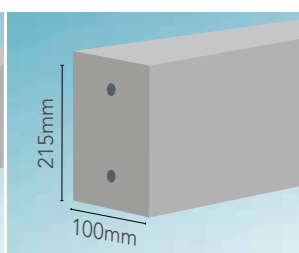
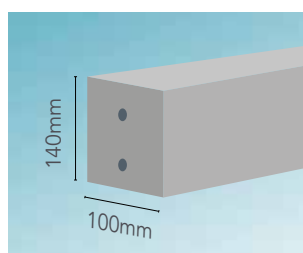
LENGTH	100(w) x 65(d)	100(w) x 140(d)	100(w) x 215(d)	140(w) x 215(d)
1200	•	•	•	•
1350	•	•	•	•
1500	•	•	•	•
1680	•	•	•	•
1800	•	•	•	•
2000	•	•	•	•
2300	•	•	•	•
2600	–	•	•	•
2900	–	•	•	•
3000	–	•	•	•
3200	–	•	•	•
3500	–	–	•	•
3800	–	–	•	•
4100	–	–	•	•





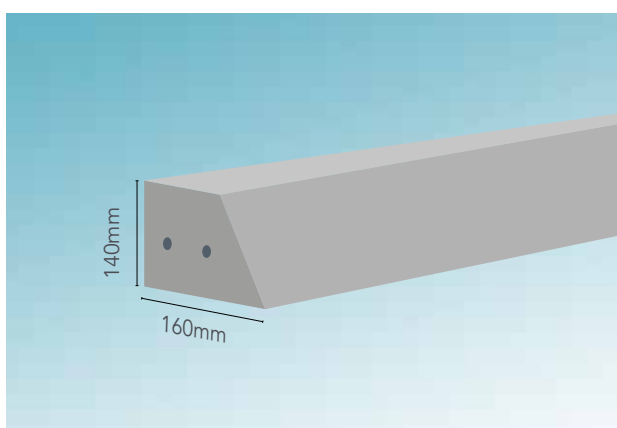
Reinforced Concrete Lintels Dimensions (mm)

LENGTH	100(w) x 140(d)	100(w) x 215(d)	140(w) x 140(d)
900	•	–	–
1200	•	•	•
1350	•	•	•
1500	•	•	•
1680	•	•	•
1800	•	•	•
2000	•	•	•
2300	–	–	•



Reinforced Concrete Boot Lintels Dimensions (mm)

LENGTH	160(w) x 140(d)
900	•
1200	•
1350	•
1500	•
1680	•
1800	•
2000	•



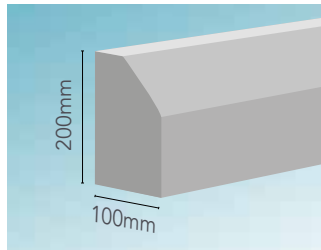
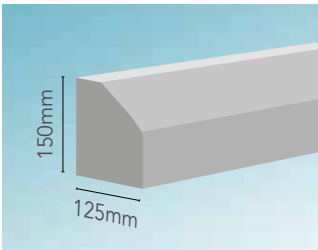
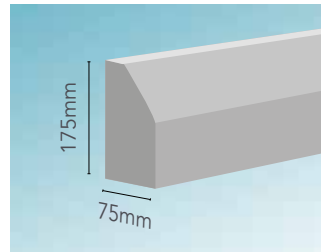
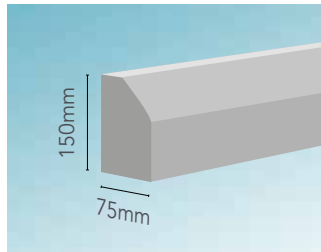
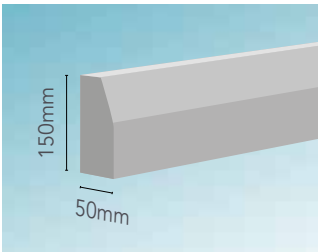
PRECAST KERBS

Precast concrete garden kerbs are available in 900mm lengths and various formats to suit most residential requirements.

We hold a stock of the most popular kerb sizes which can be delivered to site on short lead times.

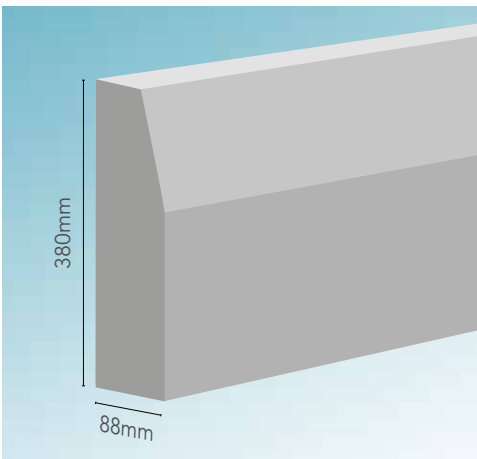
Kerbs Dimensions (mm)

DEPTH	WIDTH	LENGTH	QTY. PER PALLET
150	50	900	60
150	75	900	42
175	75	900	42
150	125	900	32
200	100	900	25



Dwarf Wall Kerb Dimensions (mm)

DEPTH	WIDTH	LENGTH	QTY. PER PALLET
380	88	900	12



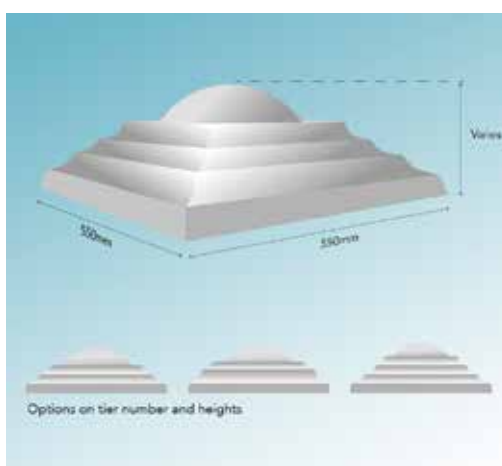
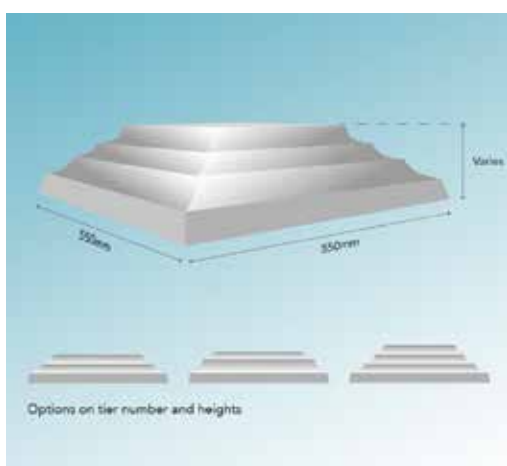
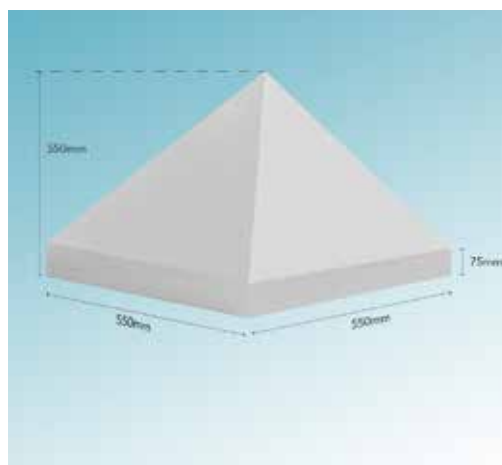
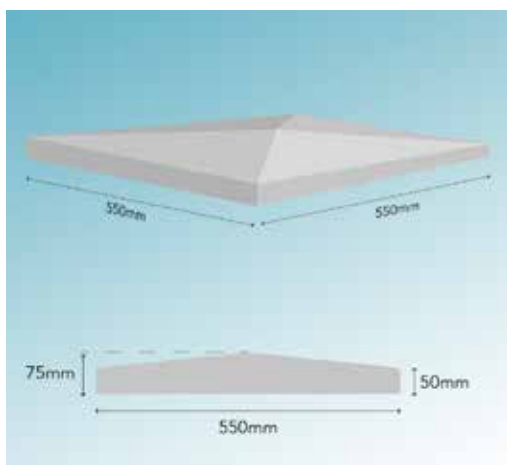
PRECAST PILLAR TOPS

Creagh manufacture and supply a range of copings and pillar tops to finish off your project.

Copings are available in Saddle Back, Flat Top and Gable in various sizes.

Pillar Tops Dimensions (mm)

SIZE	4 TIERS	TALL OPTION	DOMES TOP
300 x 300	•	–	•
400 x 400	•	–	–
450 x 450	•	–	•
550 x 550	•	•	•
680 x 680	•	•	•
820 x 550	•	–	–
820 x 820	–	•	–
840 x 840	•	•	•
1000 x 550	•	–	–
1065 x 1065	–	•	•

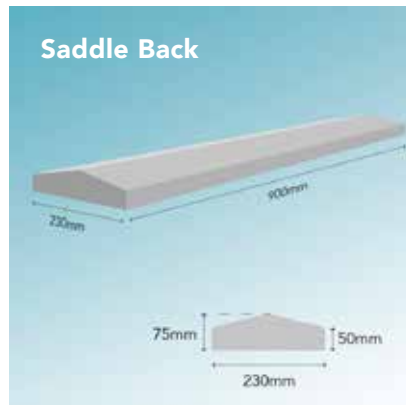
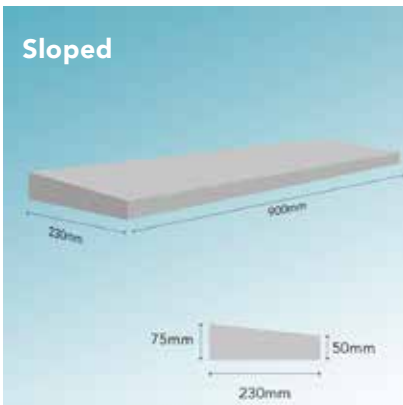


PRECAST COPING

Coping sizes are available in Saddle Back, Flat Top and Gable.

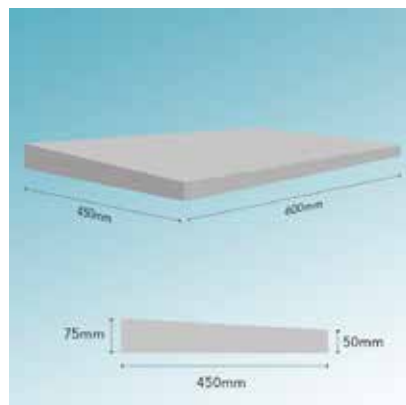
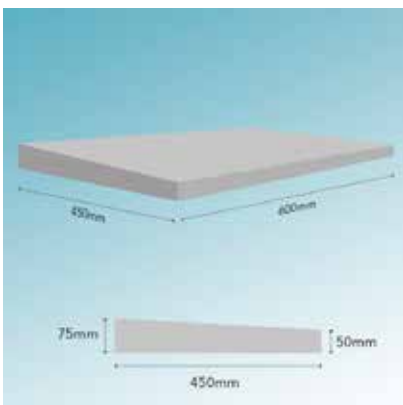
Wall Copings Dimensions (mm)

LENGTH	WIDTH	QTY PER PALLET
900	175	30
900	200	38
900	230	28 flat top 38 Saddle Back
900	330	21 flat top 21 Saddle Back
900	400	14



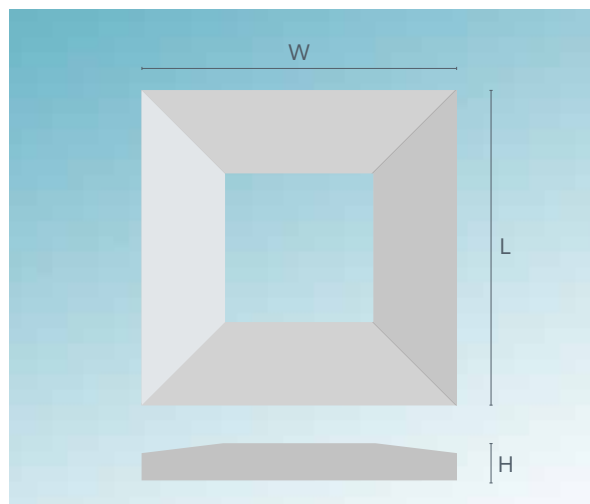
Gable Copings Dimensions (mm)

LENGTH	WIDTH	QTY PER PALLET
600	450	32
600	550	32



Chimney Copings Dimensions (mm)

CHIMNEY SIZE	COPING SIZE (W x L x H)
450 x 450 x 75	640 x 640 x 75
550 x 550 x 75	725 x 725 x 75
550 x 900 x 75	725 x 1100 x 75
550 x 1000 x 75	725 x 1170 x 75
550 x 1170 x 75	755 x 1360 x 75
550 x 900 x 150	820 x 1100 x 150 (MTO)



Half Chimney Copings Dimensions (mm)

CHIMNEY SIZE	COPING SIZE
750	940 x 920 x 75
650	940 x 820 x 75
550	940 x 720 x 75
450	940 x 620 x 75



Precast Fire Slabs

WEIGHT	DIMENSIONS
Varies	Made to order



Precast Throating Blocks & Fire Slabs

WEIGHT	DIMENSIONS
Varies	Made to order



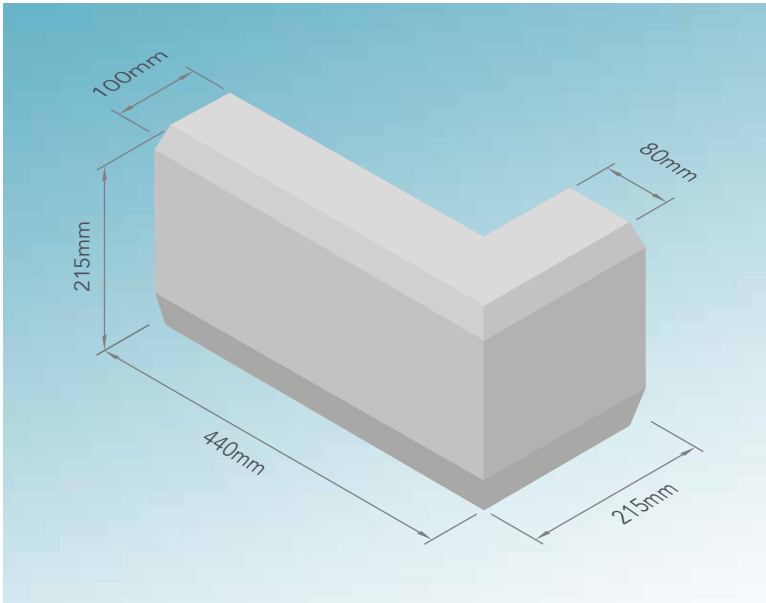
PRECAST QUOINS

Precast concrete quoin stones are used to create feature corner edges on traditional and modern homes alike. The cost effective

quoins are manufactured with a chamfered finish top and bottom which highlights the crisp edge detailing.

Kerbs Dimensions (mm)

HEIGHT	DEPTH	LONG EDGE	SHORT EDGE	QTY. PER PALLET
215	100	440	215	36



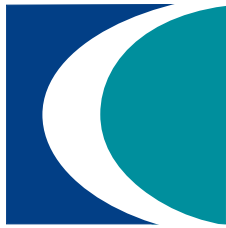
GENERAL PRECAST

Creagh manufactures a number of general precast items commonly used in residential construction.

General Precast Items Dimensions (mm)

PRECAST ITEMS	DEPTH	WIDTH	LENGTH
Septic Tank Cover	75	450	1350
Gully Surrounds	75	440	320
	75	440	370
Gate Posts	175	175	2130
	200	200	2130
Padstones	100	140	440
	100	225	440





CREAGH INNOVATION IN CONCRETE

CREAGH CONCRETE PRODUCTS LTD

HEAD OFFICE

38 Blackpark Road, Toomebridge,
Co. Antrim, N. Ireland
BT41 3SL

Tel: 028 7965 0500
ROI: 048 7965 0500

ENGLAND

Thurgarton Lane, Hoveringham,
Nottinghamshire
NG14 7JX

Tel: 016 3683 1043

SCOTLAND

Cliftonhall Road, 14 Newbridge Industrial Estate
Newbridge, Edinburgh
EH28 8PJ

Tel: 0131 333 5405



selfbuild@creaghconcrete.com
Creaghconcrete.co.uk